



---

## PRODUCT SPECIFICATION

CUSTOMER NAME

CUSTOMER PART NUMBER

LK ELECTRONICS PART NUMBER      LK 3020

DATE

---

### LK Electronics

Ing. Karolina Mikelinová, Spojovací 24, 326 00 Plzeň, Czech Republic

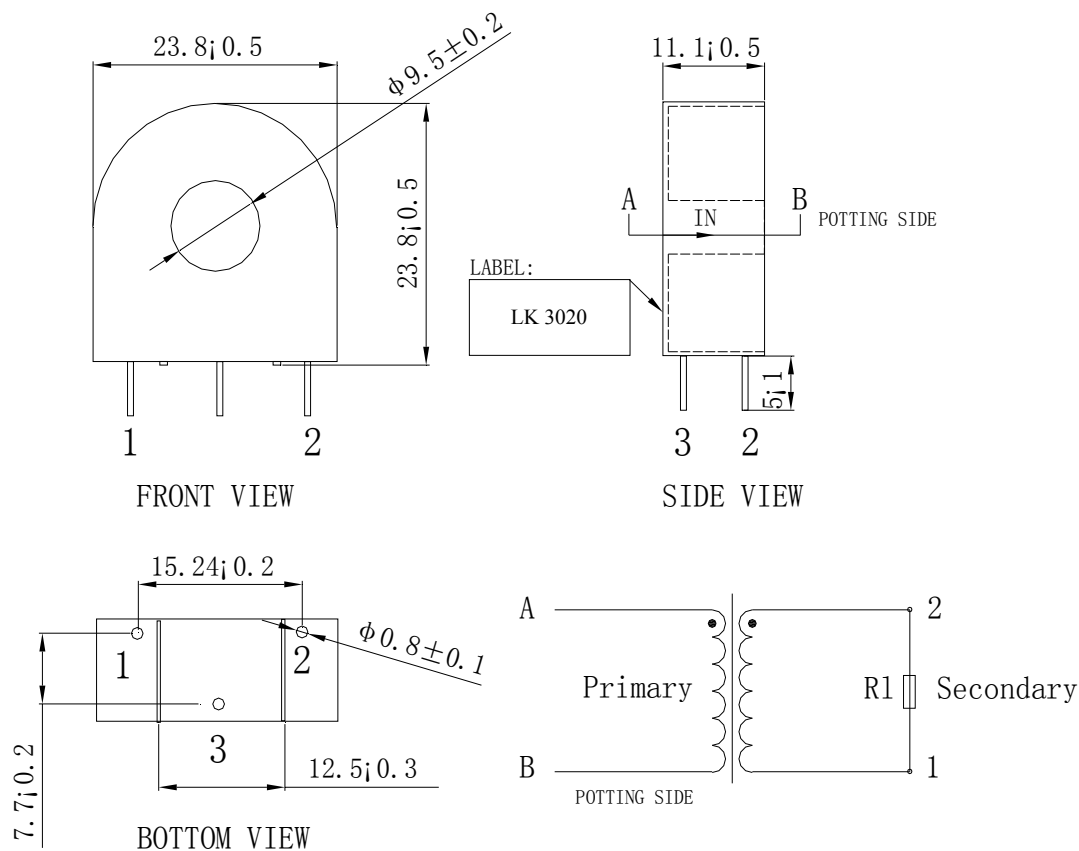
IČ: 016 650 49

Email: [info@lkelectronics.cz](mailto:info@lkelectronics.cz)

[www.lkelectronics.cz](http://www.lkelectronics.cz)


CUSTOMER		DESCRIPTION	CURRENT TRANSFORMER
----------	--	-------------	---------------------

OUTLINE DIMENSION (UNIT:mm) :



ELECTRICAL CHARACTERISTIC:

NO.	ITEM	MEASURED POINT	TECHNICAL DATA	REMARK
1	Normal Primary Current	A-B	20A	60A MAX
2	Normal Secondary current	2-1	20mA	
3	Output Voltage	2-1	$2.0V \pm 0\%$	$I_{in}=20A$ $R_L=100\Omega$
4	Load Resistance		$100\Omega$	
5	DC Resistance	2-1	$65\Omega$ MAX	at 25°C
6	Nominal working frequency		50Hz~60Hz	
7	HI-POT	P-S	3000V AC 50Hz 60s	
8	Primary/secondary ratio	2-1	1: 1000	

	DRAWN BY	CHECKED BY	APPROVED BY	CUSTOMER P/N	
				MODEL	LK 3020
				DATE	2013-5-23
				REV.NO.	A01
				PAGE	2/2