

---

## PRODUCT SPECIFICATION

CUSTOMER NAME

CUSTOMER PART NUMBER

LK ELECTRONICS PART NUMBER      LK 3050

DATE

---

### LK Electronics

Ing. Karolina Mikelinová, Spojovací 24, 326 00 Plzeň, Czech Republic

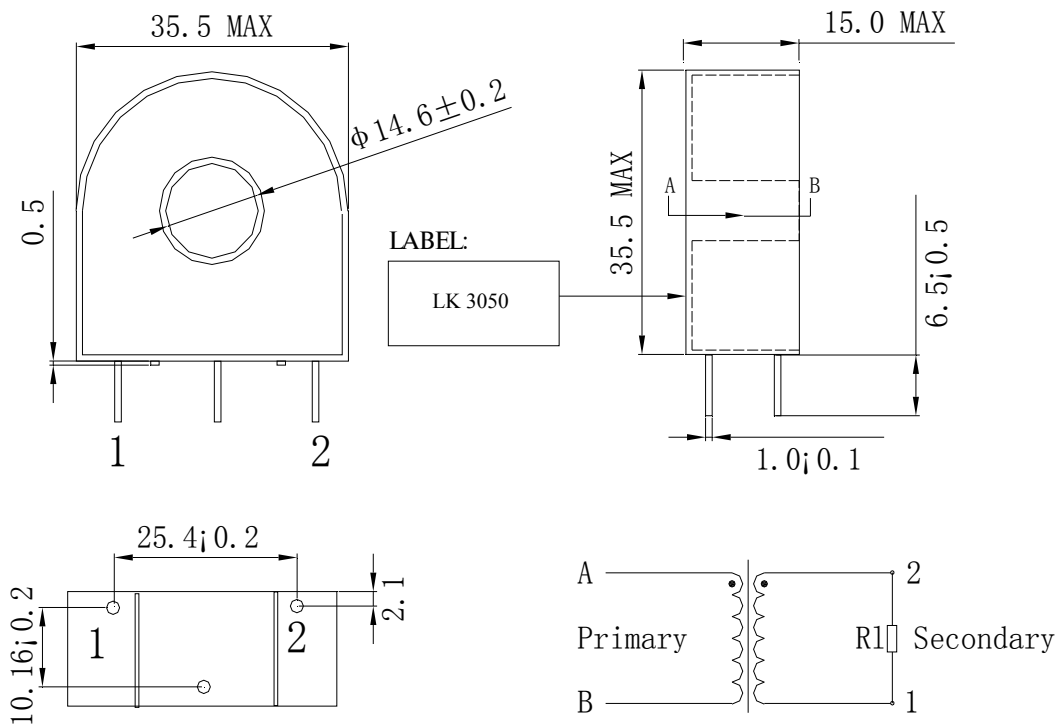
IČ: 016 650 49

Email: [info@lkelectronics.cz](mailto:info@lkelectronics.cz)

[www.lkelectronics.cz](http://www.lkelectronics.cz)

CUSTOMER		DESCRIPTION	CURRENT TRANSFORMER
----------	--	-------------	---------------------

**OUTLINE DIMENSION(UNIT:mm):**



**ELECTRICAL CHARACTERISTIC:**

NO.	ITEM	MEASURED POINT	TECHNICAL DATA	REMARK
1	Normal Primary Current	A-B	50A	
2	Normal Secondary current	2-1	50mA	
3	Maximum Primary current		125A	
4	Output Voltage	2-1	5V $\checkmark$ 0%	Iin=5A RL=100 $\Omega$
5	Primary/secondary ratio		1: 1000	
6	Load Resistance		100 $\Omega$	
7	DC Resistance	2-1	65 $\Omega$ MAX	at 25 $^{\circ}$ C
8	Nominal working frequency		50Hz~60Hz	
9	Storage Temperature		-55 $^{\circ}$ C to 80 $^{\circ}$ C	
10	HI-POT	P-S	4000VAC 50Hz 60s	



DRAWN BY	CHECKED BY	APPROVED BY	CUSTOMER P/N
			MODEL
			DATE
			REV.NO.
			PAGE

LK 3050  
2013-5-23  
A01  
2/2